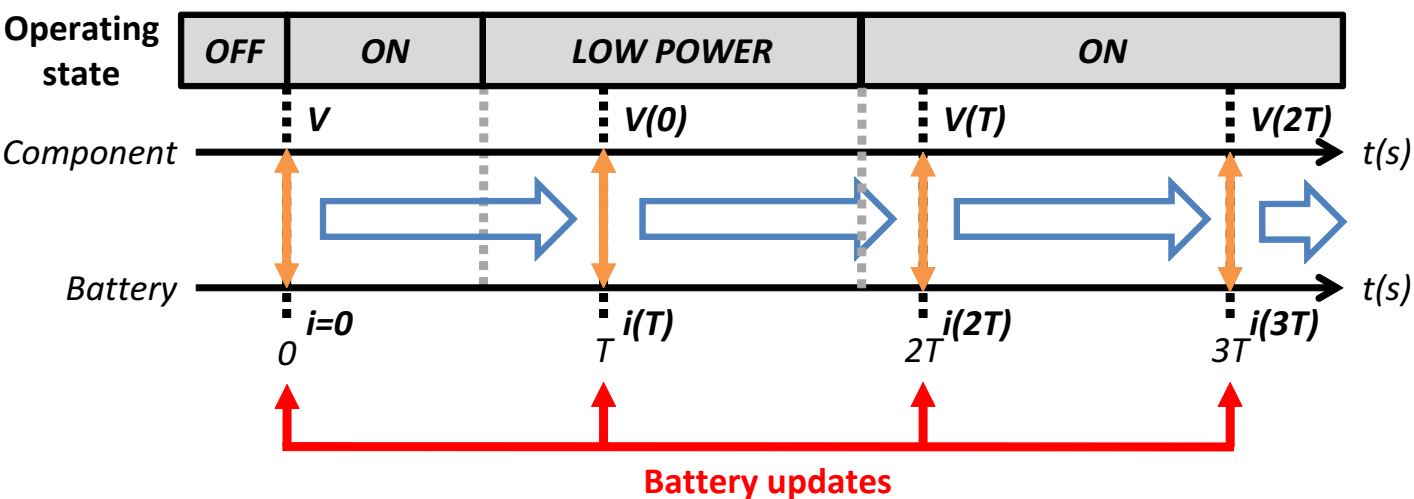
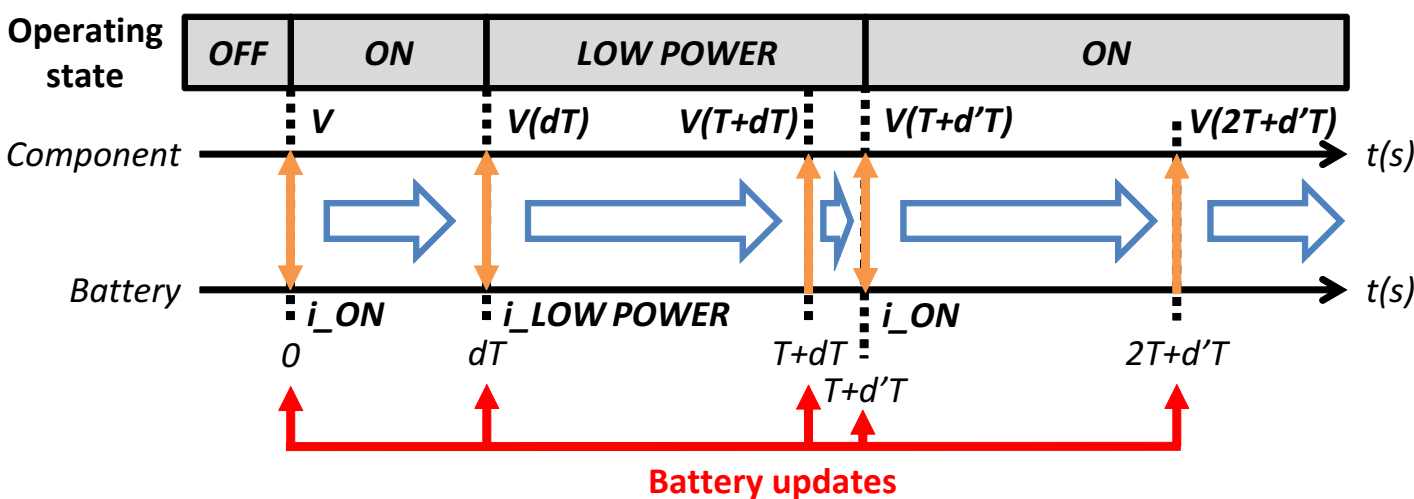


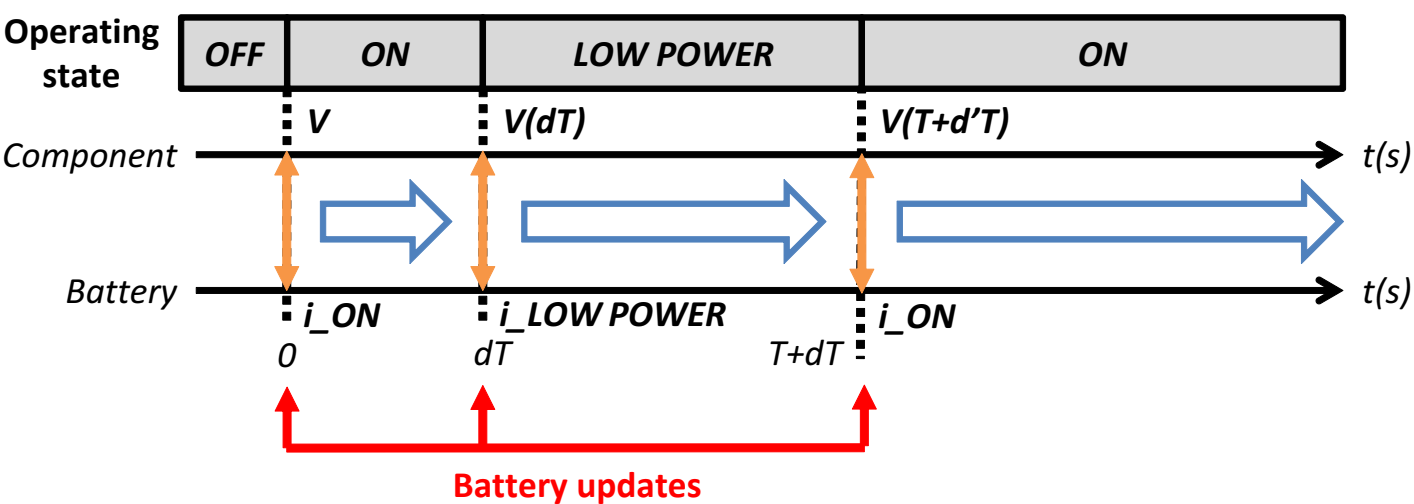
a. FFS method



b. SUED method



c. FED method



d. SA method

